



Integrated Drilling Waste Management

TWMA Vacuum Rated Drill Cuttings Bins



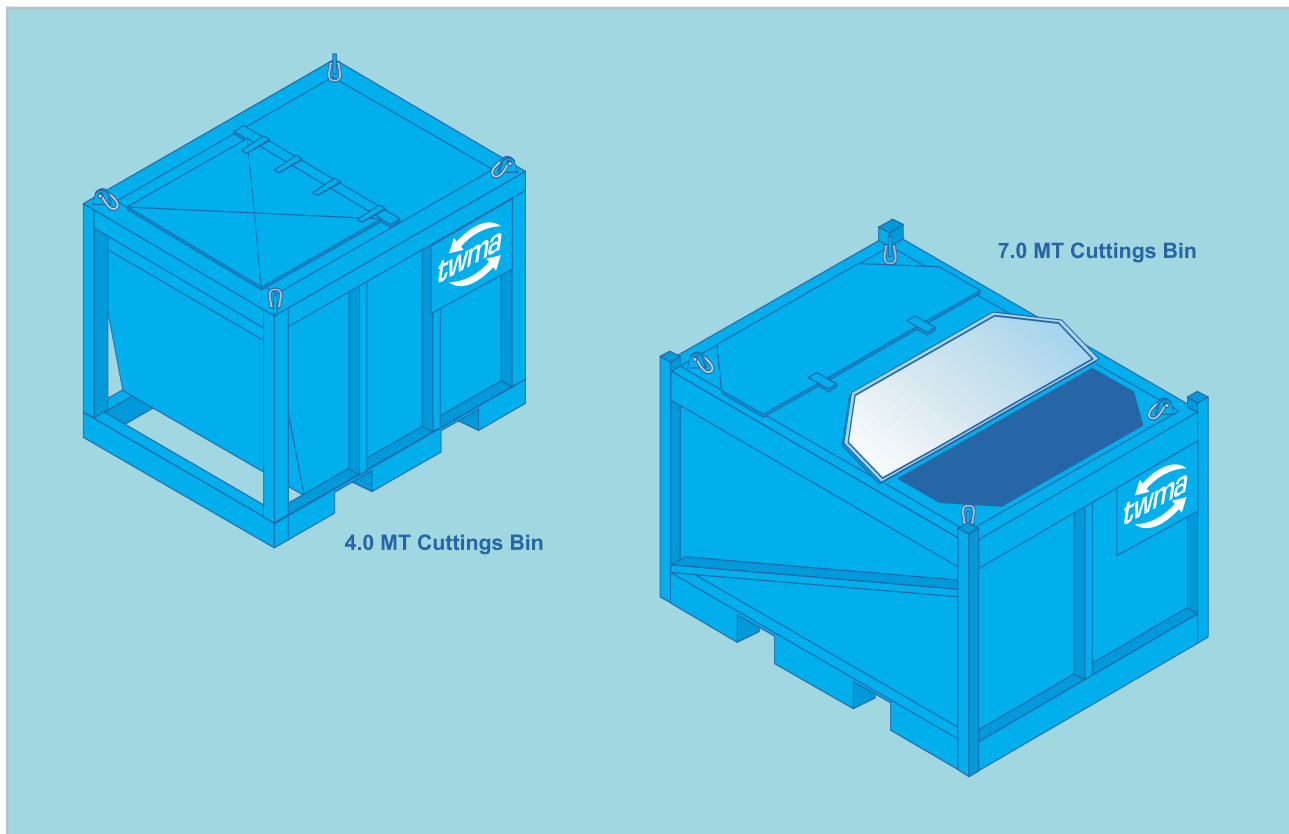
Specifically designed to exceed the environmental and service conditions encountered during offshore operations.

Talk to the specialists

Equipment Specifications Weight & Dimensions

- Specifically designed to exceed the environmental and service conditions encountered during offshore operations.
- Available in two sizes, 5.0 MT and 7.0 MT nominal capacity.
- Constructed from mild steel.
- Vacuum rated.
- Complete with Certified sling set.
- Bins Certified to DNV 2.7-1 or relevant standard
- Lockable filling hatches.
- Hatches fitted with a soft oil resistant sealing strip to prevent product leakage during transport.
- Painted finish.

Description	Dimensions/ m L x W x H	Tare Weight	Payload	Gross Weight
4.0 MT	1.900 x 1.710 x 1.282	1.0 MT	4.0 MT	5.0 MT
7.0 MT	2.300 x 1.780 x 1.260	1.230 MT	5.77 MT	7.0 MT



Head Office Greenbank Road East Tullos Aberdeen AB12 3BQ UK
 T: (0) 1224 875560 F: +44 (0) 1224 875548 E: sales@twma.co.uk

Nigeria Plot F4B Balyelsa Road GRA Phase 111 Port Harcourt Nigeria
 T: +234 (0) 84 232208 F: +234 (0) 84 231724

Peterhead Unit 12 Dales Industrial Estate Peterhead UK
 T: (0) 1779 472604 F: +44 (0) 1779 470268

Shetland Vatster Gott Shetland ZE2 9SG UK
 T: +44 (0) 1595 840431 F: +44 (0) 1595 840703

Egypt Egypt for Petroleum Services S.A.E Street 12
 c/o Alexandria Public Free Zone
 29km Alex Cairo Dessert Road Ameriya Egypt
 T: +20 (0) 12 900 1612

www.twma.co.uk